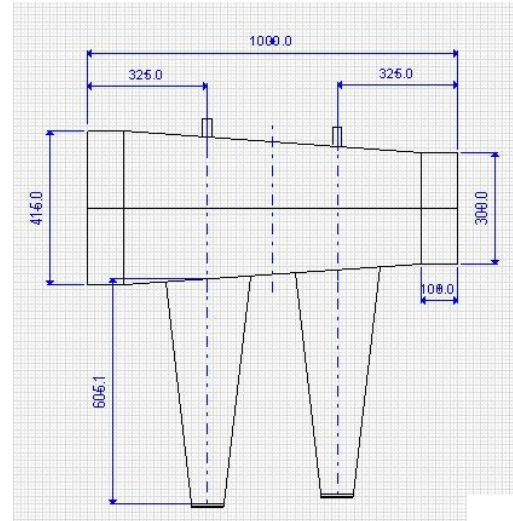


## Model: reducing Transfer sleeve connection to taconic shipper

- use a 12" plastic support ring and connect the 12 inch opening of the shipper with this using tape
- place the small opening of the reducing transfer sleeve over the connected shipper/ring you just secured and attach also with tape
- open port door on isolator
- place taconic shipper on support and line up sleeve with port
- place any other material you would like to import at the same time into the port (optional)
- connect large opening of transfer sleeve to port
- secure with rubber band and clamp
- spray the inside of the transfer sleeve and any placed material well by using the spray nozzle openings
- take special care for gloves, the connections to shipper and port and any small parts
- wait the appropriate incubation time
- import any sprayed in material into the isolator first
- close inner door again follow the procedure to remove the animals
- check integrity of shipper one last time before opening the mylar film
- follow the procedure to remove the animals:
  - remove the yellow tape securing the mylar diaphragm
  - Carefully work the Mylar diaphragm within the germ-free shipper to a horizontal position (using external manipulation).
  - once open you can remove the cages using the gloves on the transfer sleeve and move into the isolator
  - after import is successful remove all material / cages not needed
  - close port
  - disconnect sleeves



connect this side to the  
transfer sleeve

Taconic Shipper